



## License Plate Lights

### General information

License plate light function can be checked using Vehicle Electrical System Control Module J519 On Board Diagnostic (OBD) program function "Output Diagnostic Test Mode (DTM)" ⇒ [97-6, Vehicle Electrical System Control Module J519 , Output Diagnostic Test Mode \(DTM\)](#) .

Before troubleshooting or servicing, technicians must be familiar with the functions and operation specifics of the standard or optional headlamp or lighting system. Always read the owners manual and review applicable system functions.

### Note:

- *Additional information:*

⇒ *Owners Manual*

⇒ *Self Study Program - Course Number 891503 "The 2006 Passat Introduction"*

⇒ *Self Study Program - Course Number 871503 "The 2006 Passat Electrical Systems Design and Function"*

⇒ *Electrical Wiring Diagrams, Troubleshooting and Component Locations binder*

CAN-Bus wire repairs ⇒ [97-8, Repairing CAN-Bus wires](#)

### On Board Diagnostic, function

Vehicle electrical system control is equipped with On Board Diagnostics (OBD) capabilities which assists in troubleshooting rear lights.

For troubleshooting, use Vehicle Diagnostic, Testing and Information System VAS 5051/5052 in operating mode "Guided Fault Finding" ⇒ [97-1, VAS 5051 / 5052](#) .

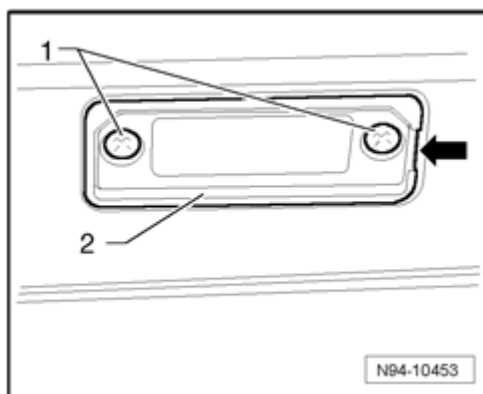
### License Plate Light X - Sedan, removing and installing

#### Removing:

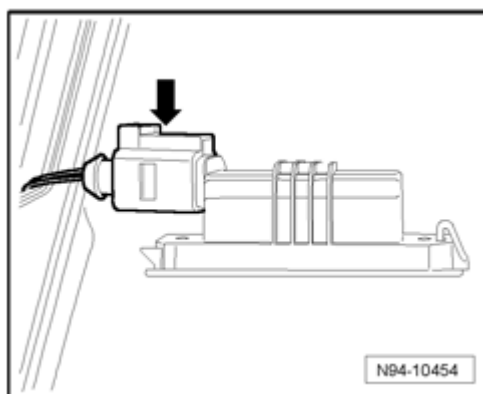
#### **Caution!**

- **Switch off all electrical consumers.**

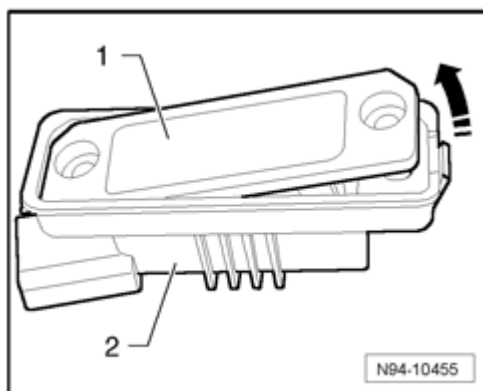
- **Switch ignition off and remove ignition key.**



- Remove screws - **1** - from License Plate Light X - **2** - .
- Using an appropriate screwdriver, carefully pry License Plate Light X at detent - **arrow** - from bumper cover.



- Release and disconnect electrical connection - **2** - .



- Using appropriate screwdriver, pry lens - **1** - in direction of arrows from license plate light housing - **2** - .

**Note:**

- *When removing lens, ensure gasket between lens and housing is not damaged.*

Replacement bulb: 12 V, 5 W

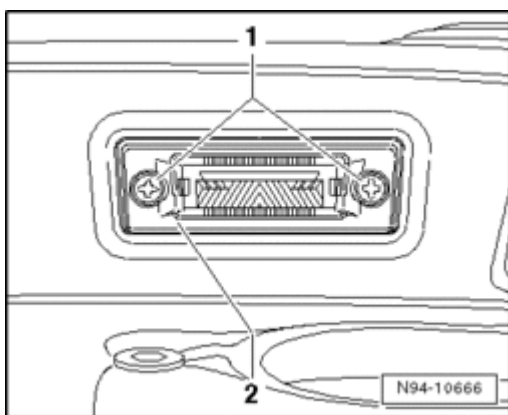
**Installing:**

Install in reverse order of removal, noting the following:

When installing, ensure proper seating of gasket between lens and housing.

**License Plate Light X - Wagon, removing and installing****Removing:****Caution!**

- **Switch off all electrical consumers.**
- **Switch ignition off and remove ignition key.**



- Remove screws - **1** - from License Plate Light X - **2** - .
- Carefully remove light from bumper cover.

Replacement bulb: 2 V, 5 W

**Installing:**

Install in reverse order of removal, noting the following:

When installing, ensure proper electrical contact between bulb and bulb holder.

**License Plate Light X , checking**

License Plate Light X function can be checked using

Vehicle Electrical System Control Module J519 On Board Diagnostic (OBD) program function "Output Diagnostic Test Mode (DTM)" ⇒ [97-6, Vehicle Electrical System Control Module J519 , Output Diagnostic Test Mode \(DTM\)](#) .