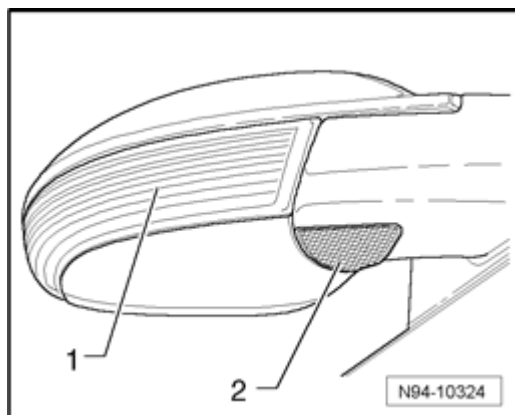




94 - 5

Turn Signals and Entry Lamps in Exterior Mirrors

General information



Turn signals and entry lights are integrated into the exterior mirror housings.

1 - Left Mirror Turn Signal Lamp L131 and Right Mirror Turn Signal Lamp L132

2 - Drivers Entry Lamp (in outside mirror) W52 and Front Passengers Entry Lamp (in outside mirror) W53

Turn signal and entry lamp function can be checked using Vehicle Electrical System Control Module J519 On Board Diagnostic (OBD) program function "Output Diagnostic Test Mode (DTM)" ⇒ [97-6, Vehicle Electrical System Control Module J519 , Output Diagnostic Test Mode \(DTM\)](#) .

Before troubleshooting or servicing, technicians must be familiar with the functions and operation specifics of the standard or optional headlamp or lighting system. Always read the owners manual and review applicable system functions.

Note:

- *Additional information:*

⇒ *Owners Manual*

⇒ *Self Study Program - Course Number 891503 "The 2006 Passat Introduction"*

⇒ *Self Study Program - Course Number 871503 "The 2006 Passat Electrical Systems Design and Function"*

⇒ *Electrical Wiring Diagrams, Troubleshooting and*

Component Locations binder

CAN-Bus wire repairs ⇒ [97-8, Repairing CAN-Bus wires](#)

On Board Diagnostic, function

Vehicle electrical system control is equipped with On Board Diagnostics (OBD) capabilities which assists in troubleshooting turn signals and entry lamps.

For troubleshooting, use Vehicle Diagnostic, Testing and Information System VAS 5051/5052 in operating mode "Guided Fault Finding" ⇒ [97-1, VAS 5051 / 5052](#) .

Mirror turn signals, servicing

Mirror turn signals, removing and installing

Drivers Exterior Mirror Turn Signal Lamp L131 as well as Front Passengers Exterior Mirror Turn Signal Lamp L132 is installed in housing of left and right exterior mirror.

Note:

- *In case of damage, the entire Drivers Exterior Mirror Turn Signal Lamp L131 or the entire Front Passengers Exterior Mirror Turn Signal Lamp L132 must be replaced.*

Removing:

Caution!

- **Switch off all electrical consumers.**
- **Switch ignition off and remove ignition key.**
- **Leave remote control ignition key in passenger compartment in order to prevent accidental door locking and automatic headlamp "Coming home/leaving home" activation.**

- Remove the Drivers Exterior Mirror Turn Signal Lamp L131 or the Front Passengers Exterior Mirror Turn Signal Lamp L132

⇒ [Repair Manual, Body Exterior, Repair Group 66, Rear view mirror; removing and installing side turn signals](#)

Installing:

- Install Drivers Exterior Mirror Turn Signal Lamp L131 or Front Passengers Exterior Mirror Turn Signal Lamp L132

⇒ [Repair Manual, Body Exterior, Repair Group 66, Rear view mirror; removing and installing side turn signals](#)

Mirror turn signal lamps, checking

Drivers Exterior Mirror Turn Signal Lamp L131 function can be checked using Drivers Door Control Module J386 On Board Diagnostic (OBD) function "Output Diagnostic Test Mode (DTM)" ⇒ [97-6, Drivers Door Control Module J386 , performing Output Diagnostic Test Mode \(DTM\)](#) .

Drivers Exterior Mirror Turn Signal Lamp L132 function can be checked using Drivers Door Control Module J387 On Board Diagnostic (OBD) function "Output Diagnostic Test Mode (DTM)" ⇒ [97-6, Front Passengers Door Control Module J387 , performing Output Diagnostic Test Mode \(DTM\)](#) .

Entry lamps in exterior mirrors, servicing

Entry lamps in exterior mirrors, removing and installing

Drivers Entry Lamp (in outside mirror) W52 and Front Passengers Entry Lamp (in outside mirror) W53 are integrated with the mirror housing.

Note:

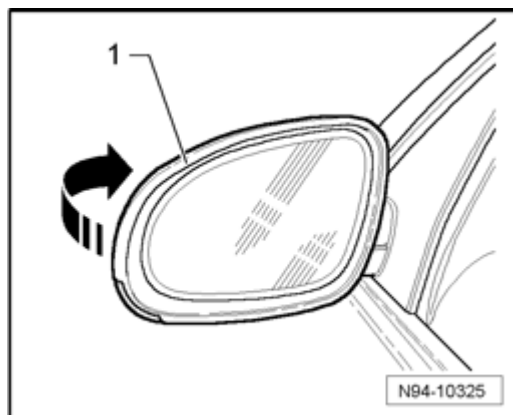
- *Exterior mirror must not be disassembled to remove and install entry lamps*
- *Removing and installing drivers side lamp and passengers side lamp is performed in the same manner on both sides and is only described for one side.*

Removing:

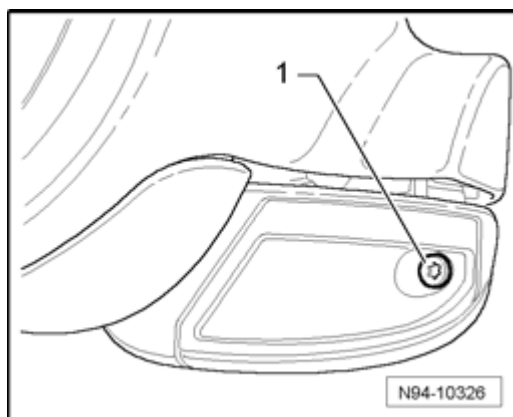
Caution!

- **Switch off all electrical consumers.**

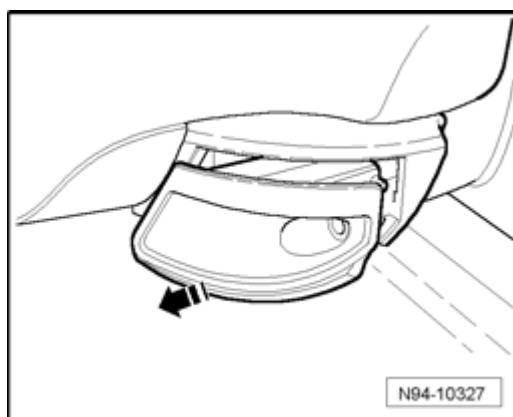
- **Switch ignition off and remove ignition key.**
- **Leave remote control ignition key in passenger compartment in order to prevent accidental door locking and automatic headlamp "Coming home/leaving home" activation.**



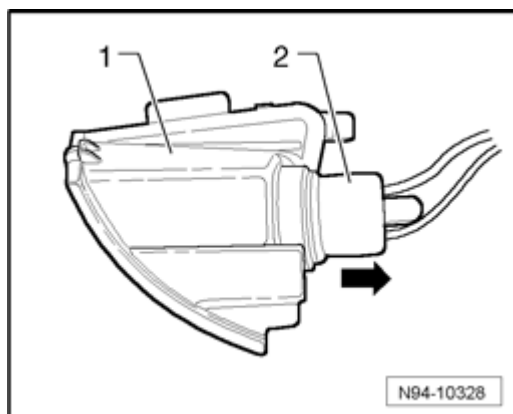
- Fold exterior mirror - 1 - in direction of - arrow - toward front.



- Remove bolt - 1 - .

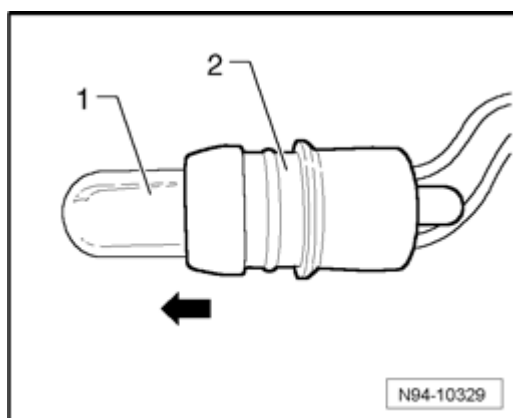


- Unclip entry light in direction of arrow from exterior mirror, and pull out as far as wiring harness allows.



- Pull socket - 2 - in direction of - **arrow** - out of housing - 1 - of entry lamp.

Bulb, replacing:



- Pull bulb - 1 - in direction of - **arrow** - out of socket - 2 - .

Plug-in socket lamp: 12 V, 6 W

Installing:

Install in reverse order of removal, noting the following:

Note:

- *After installation, perform a function test of the exterior mirror.*

Entry lamps in exterior mirrors, checking

Drivers Entry Lamp (in outside mirror) W52 function can be checked using Drivers Door Control Module J386 On Board Diagnostic (OBD) function "Output Diagnostic Test Mode (DTM)" ⇒ [97-6, Drivers Door Control Module J386](#) ,

[performing Output Diagnostic Test Mode \(DTM\)](#) .

Front Passengers Entry Lamp (in outside mirror) W53 function can be checked using Front Passengers Door Control Module J387 On Board Diagnostic (OBD) function "Output Diagnostic Test Mode (DTM)" ⇒ [97-6, Front Passengers Door Control Module J387 , performing Output Diagnostic Test Mode \(DTM\)](#) .